

Technical specifications

ÖVR 40 S

Eccentric moment	kg-m	3,66
Frequency (optimum)	rpm	2500
Frequency (max)	rpm	2750
Centrifugal force (optimum)	kN	251
Centrifugal force (max)	kN	303
Oil flow (optimum)	l/min	100
Oil flow (max)	l/min	110
Max. oil Pressure	bar	320
Power of vibro driver (optimum)	kW	53,5
Power of vibro driver (max)	kW	59
Amplitude	mm	10,2
Max. line pul for extraction	kN	88

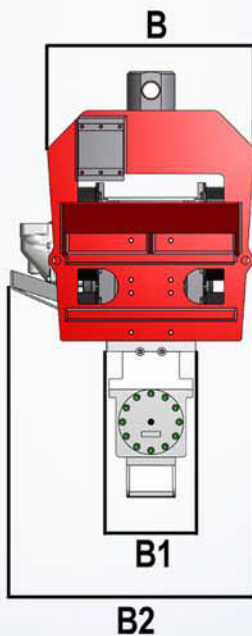
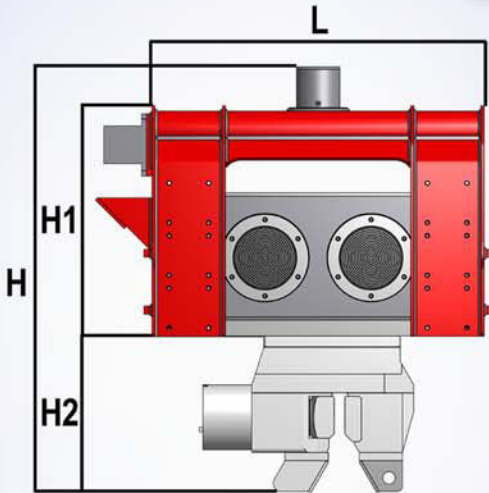
Weight and Dimensions

Weight (total)	kg	1008
Weight (dyn)	kg	717
Length L	mm	950
Height H	mm	1210
Height H1	mm	667
Height H2	mm	450
Width B	mm	573
Width B1	mm	295
Width B2	mm	682

Recommended Clamp Types

Clamp		SCN 30
Clamping force	kN	298

Recommended Excavator Class



Technical specifications

ÖVR 50 S

Eccentric moment	kg-m	4,68
Frequency (optimum)	rpm	2500
Frequency (max)	rpm	2750
Centrifugal force (optimum)	kN	333
Centrifugal force (max)	kN	403
Oil flow (optimum)	l/min	150
Oil flow (max)	l/min	165
Max. oil Pressure	bar	320
Power of vibro driver (optimum)	kW	80
Power of vibro driver (max)	kW	88
Amplitude	mm	9,1
Max. line pul for extraction	kN	147

Weight and Dimensions

Weight (total)	kg	1530
Weight (dyn)	kg	1072
Length L	mm	1038
Height H	mm	1300
Height H1	mm	788
Height H2	mm	456
Width B	mm	651
Width B1	mm	320
Width B2	mm	757

Recommended Clamp Types

Clamp		SCN 60
Clamping force	kN	630

Recommended Excavator Class



Technical specifications

ÖVR 60 S

Eccentric moment	kg-m	6,25
Frequency (optimum)	rpm	2500
Frequency (max)	rpm	2750
Centrifugal force (optimum)	kN	428
Centrifugal force (max)	kN	518
Oil flow (optimum)	l/min	200
Oil flow (max)	l/min	220
Max. oil Pressure	bar	320
Power of vibro driver (optimum)	kW	107
Power of vibro driver (max)	kW	117
Amplitude	mm	11,5
Max. line pul for extraction	kN	147

Weight and Dimensions

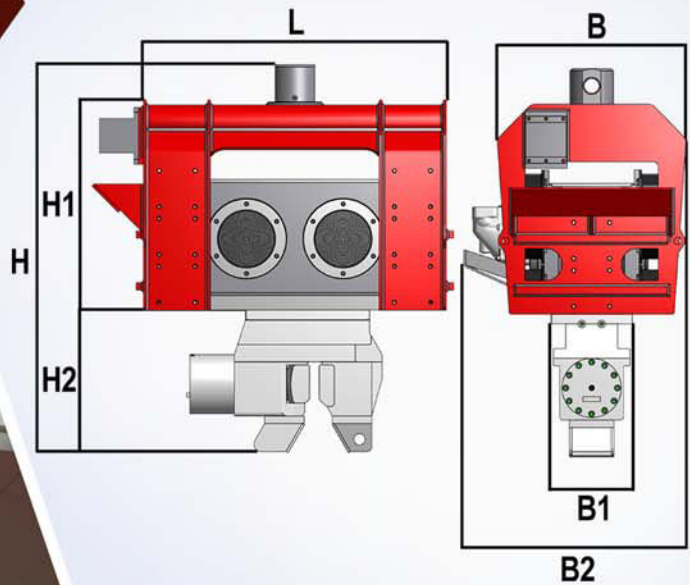
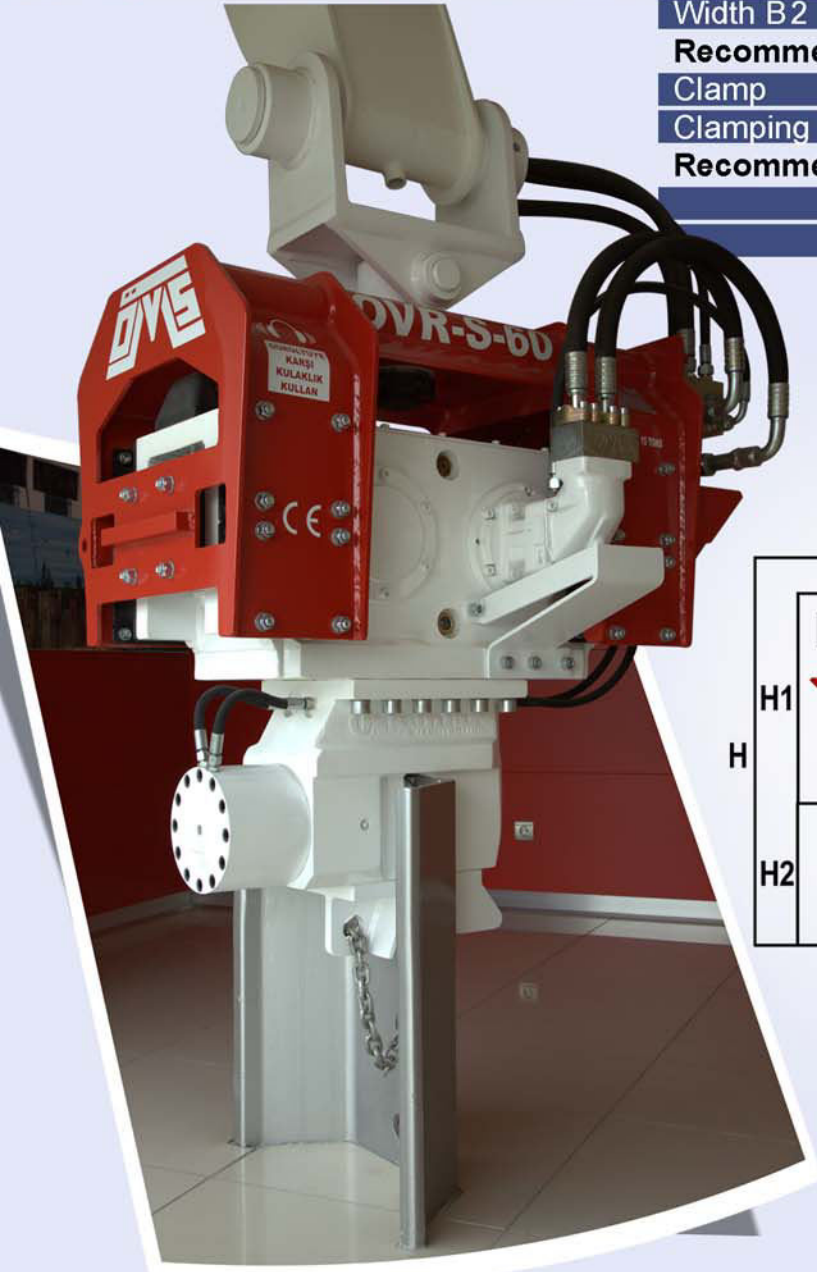
Weight (total)	kg	1542
Weight (dyn)	kg	1085
Length L	mm	1038
Height H	mm	1334
Height H1	mm	788
Height H2	mm	456
Width B	mm	651
Width B1	mm	320
Width B2	mm	757

Recommended Clamp Types

Clamp		SCN 60
Clamping force	kN	630

Recommended Excavator Class

--	--	--

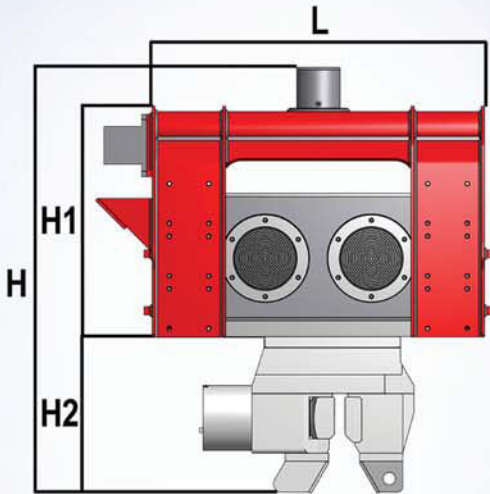




Technical specifications		OVR 70 S
Eccentric moment	kg-m	7,05
Frequency (opt)	rpm	2500
Frequency (max)	rpm	2750
Centrifugal force (opt)	kN	485
Centrifugal force (max)	kN	584
Power of vibrator (opt)	kW	120
Power of vibrator (max)	kW	132
Amplitude	mm	12,9
Max. line pul for extraction	kN	147
Weight (total)	kg	1552
Weight (dyn)	kg	1095
Length L	mm	1038
Height H	mm	1334
Height H1	mm	788
Height H2	mm	456
Width B	mm	651
Width B1	mm	320
Width B2	mm	757
Oil flow (opt)	l/min	225
Oil flow (max)	l/min	247,5
Max. oil Pressure	bar	320
Clamp type		SCN60
Clamping force	kN	630



Clamping Control : Clamp in/out by electrically operated and suitable for EU safety regulation.



Technical specifications

ÖVR 80 S

Eccentric moment	kg-m	9,04
Frequency	(optimum) rpm	2500
Frequency	(max) rpm	2750
Centrifugal force	(optimum) kN	618
Centrifugal force	(max) kN	749
Oil flow	(optimum) l/min	275
Oil flow	(max) l/min	302,5
Max. oil Pressure	bar	320
Power of vibro driver (optimum)	kW	147
Power of vibro driver (max)	kW	161
Amplitude	mm	10,8
Max. line pul for extraction	kN	235

Weight and Dimensions

Weight	(total) kg	2475
Weight	(dyn) kg	1680
Length L	mm	1103
Height H	mm	1585
Height H1	mm	912
Height H2	mm	458
Width B	mm	727
Width B1	mm	360
Width B2	mm	850

Recommended Clamp Types

Clamp		SCN 75
Clamping force	kN	798

Recommended Excavator Class
